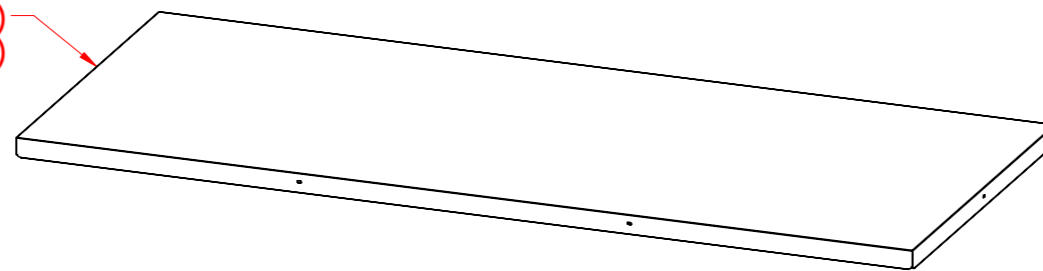
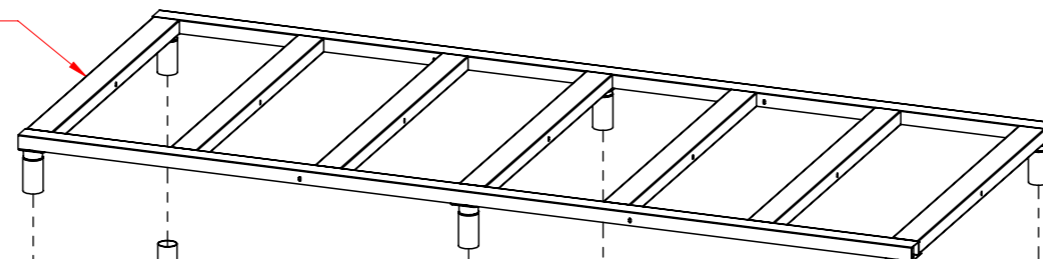


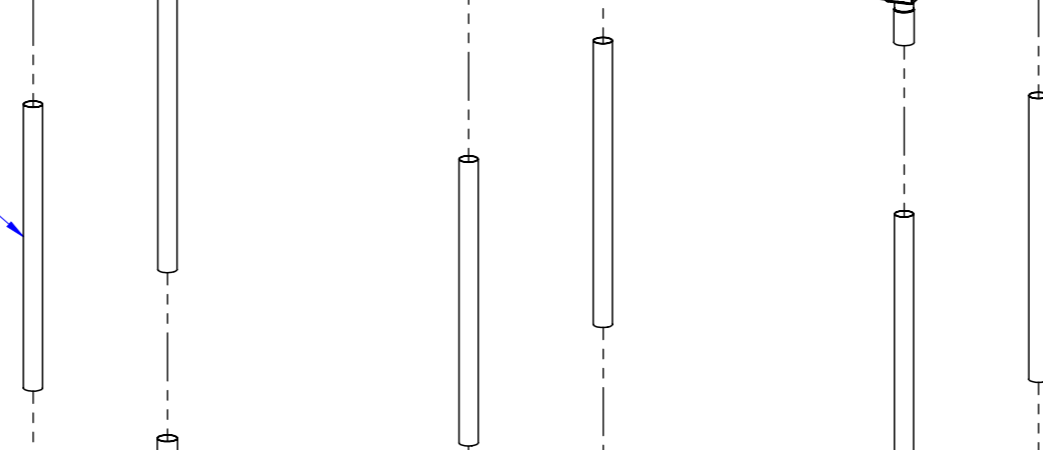
B18378 (MES-16I)  
B18288 (MES-19I)



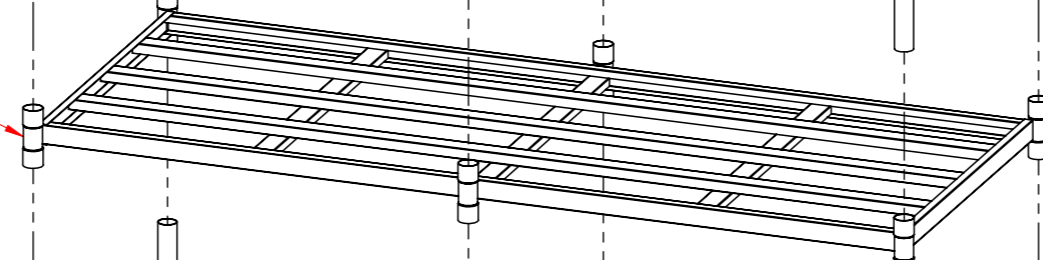
B18311 (MES-16I)  
B18313 (MES-19I)



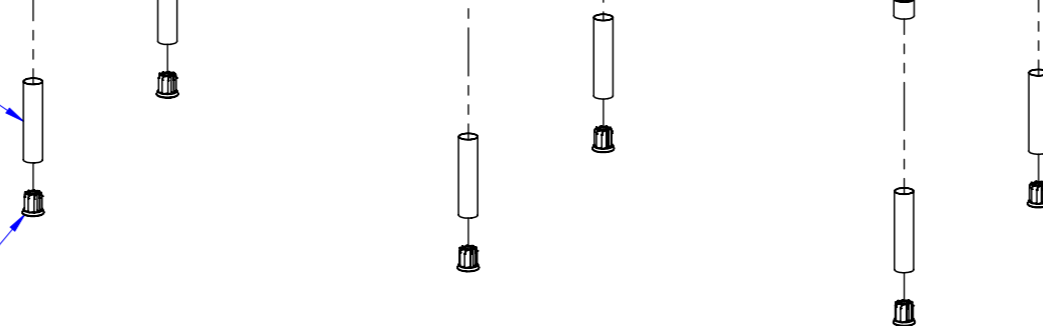
B18302



B18312 (MES-16I)  
B18314 (MES-19I)




B18303



B17272

**NOTA: PÉS CENTRAIS SOMENTE PARA MODELO MES-19I**

	Produto:	MES-16I / 19I
	Data:	26/10/2023